



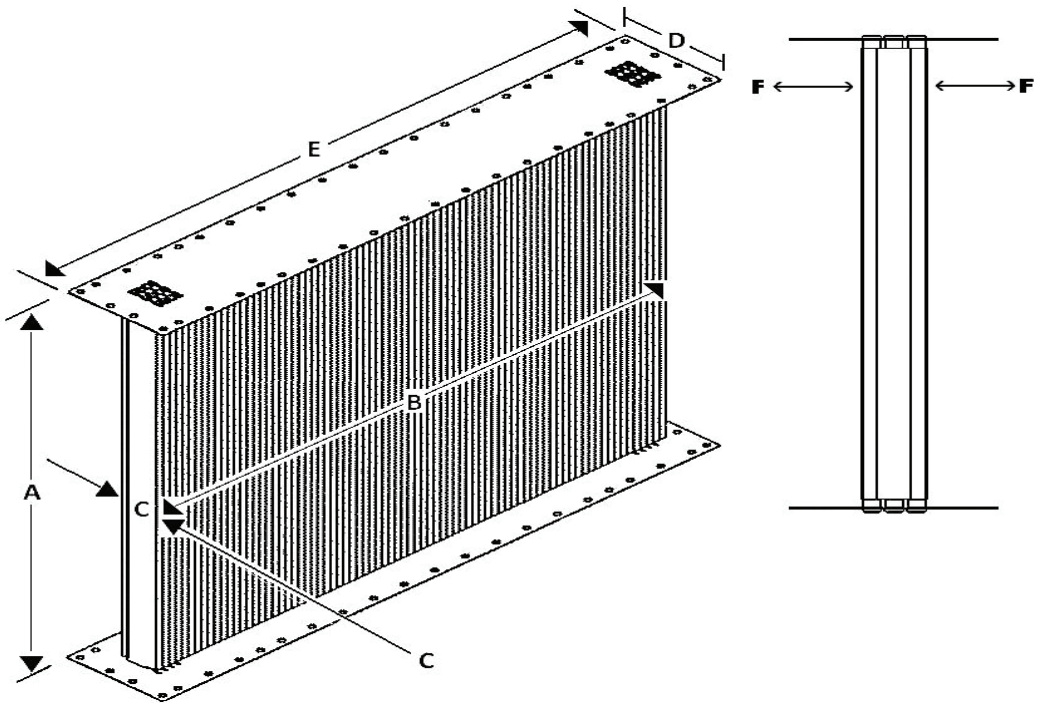
MAAS RADIATOR, INC.

Complete Cooling System Sales & Service

(877) 348-3888

MEASURING A BOLT TOGETHER RADIATOR CORE

We carry bolt-together radiator cores for trucks and industrial equipment. Because there are many different fin configurations and core sizes, it is necessary to speak with one of our specialists to determine the correct core for your equipment. Below is a diagram of a radiator core. The measurements specified in the drawing are required for us to look up your core. Please print this page and have the measurements when you call.



1. **Core Height** between header plates (core only)
2. **Core Width** from fin to fin (not including side pieces)
3. **Core Thickness**
4. **Header Width**
5. **Header Length**
 - Number of bolt holes in each header
6. **Header Overhang.** If both measurements are the same, the headers are centered